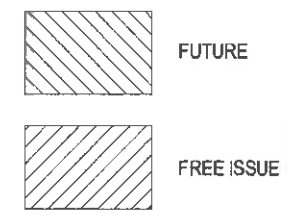
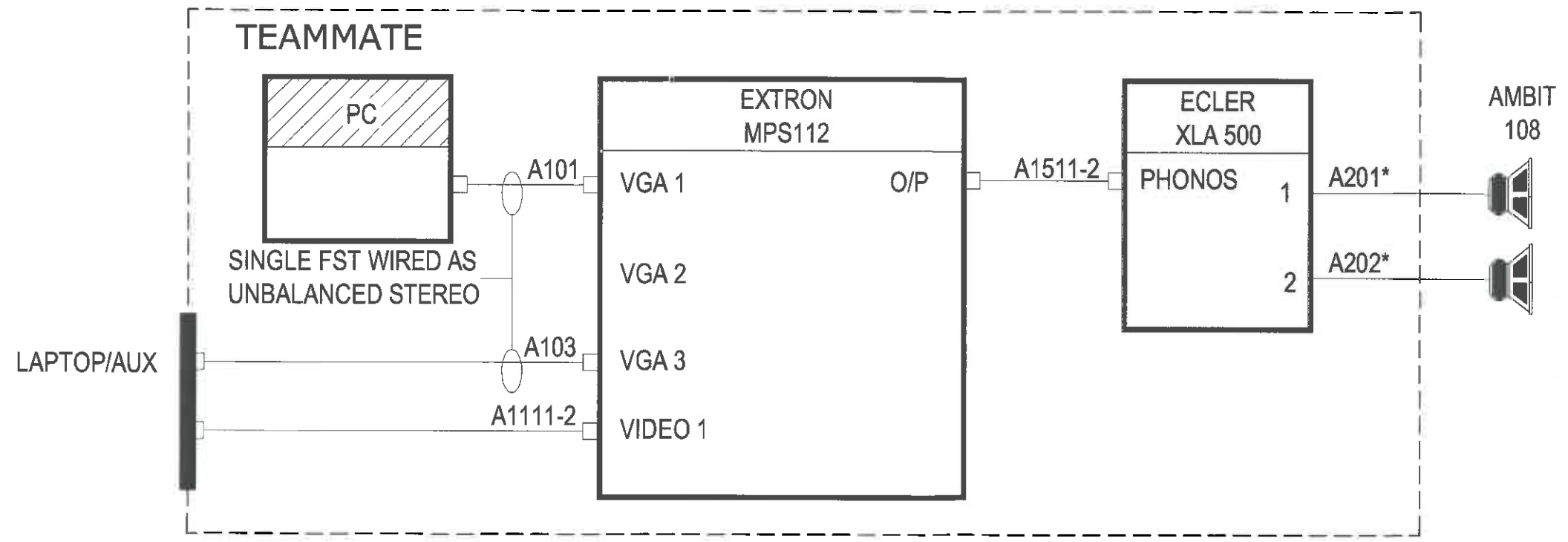



1 2 3 4 5 6 7 8

A
B
C
D
E
F



*-1.5MM 2 CORE



AB	AS BUILT	18.1.10	
-		14.9.08	
REV	REVISION NOTE	DATE	
ISSUE REASON:			
AS BUILT			
 <i>integrated audiovisual solutions</i>			
<small>Asysco House, Omega Way Surrey TW20 8RD Tel: (01754) 487000 Fax: (01754) 487000</small>			
PROJECT:			
UNIVERSITY OF SUFFOLK CAMPUS NORTH REFURBISHMENT			
AREA:			
SMALL CLASSROOM 13 T309			
TITLE:			
AUDIO SCHEMATIC			
DRAWING NUMBER:			
D3108-2132			
SALES SEQF NUMBER:		PROJECT DESIGN NUMBER:	
113000 RV3		D3108	
SCALE: NTS		ALL DIMENSIONS IN mm UNLESS OTHERWISE STATED	
CHECKED:	APPROVED:	DRAWN BY:	REV:
MB	MB	MNS	AB

U:\PROJECT DESIGNS\UNIVERSITY OF SUFFOLK - NORTH CAMPUS\DESIGN21 - SMALL CR 13 - 130903108-2132.dwg