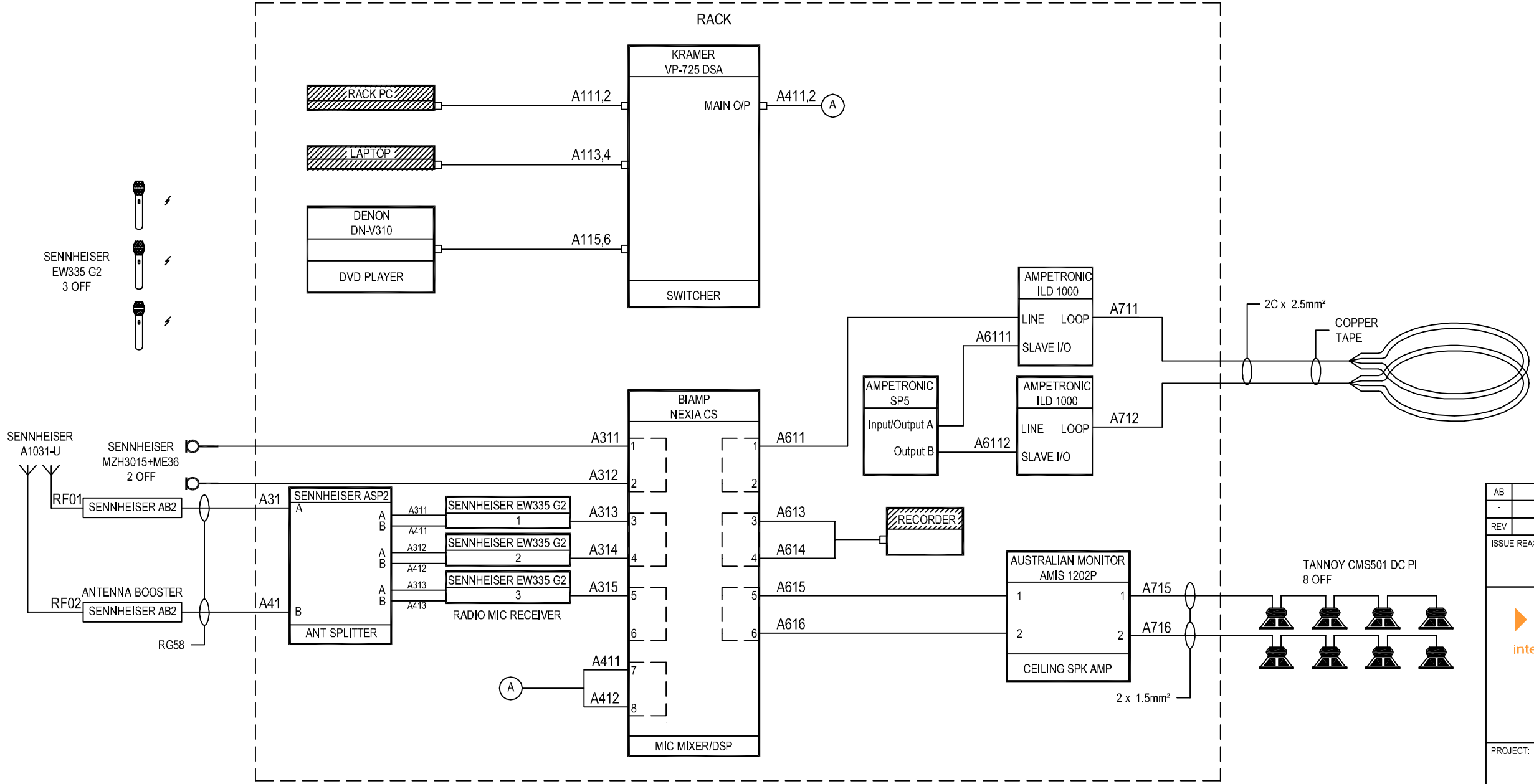
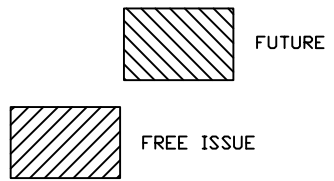


1 2 3 4 5 6 7 8

A
B
C
D
E
F

THEATRE 1.03 (140 SEATS) AUDIO



AB	AS BUILT	17.09.08
-	FIRST DRAWN	16.07.08
REV	REVISION NOTE	DATE
ISSUE REASON:		
AS BUILT		
 integrated audiovisual solutions		
Asysco House, Omega Way Surrey TW20 8RD Tel: (01784) 487000 Fax: (01784) 487060		
PROJECT:	SUFFOLK UNIVERSITY	
AREA:	THEATRE 1.03 (140 SEATS)	
TITLE:	AUDIO SCHEMATIC	
DRAWING NUMBER:	D2900-0132	
SALES SEQ NUMBER:	PROJECT DESIGN NUMBER:	
	D2900	
SCALE: NT5	ALL DIMENSIONS IN mm UNLESS OTHERWISE STATED	
CHECKED: MB	APPROVED:	DRAWN BY: HC
		REV: AB

U:\PROJECT DESIGNS\SUFFOLK UNIDESIGN1 - THEATRE 1.03 (140 SEATS)\D2900-0132.dwg